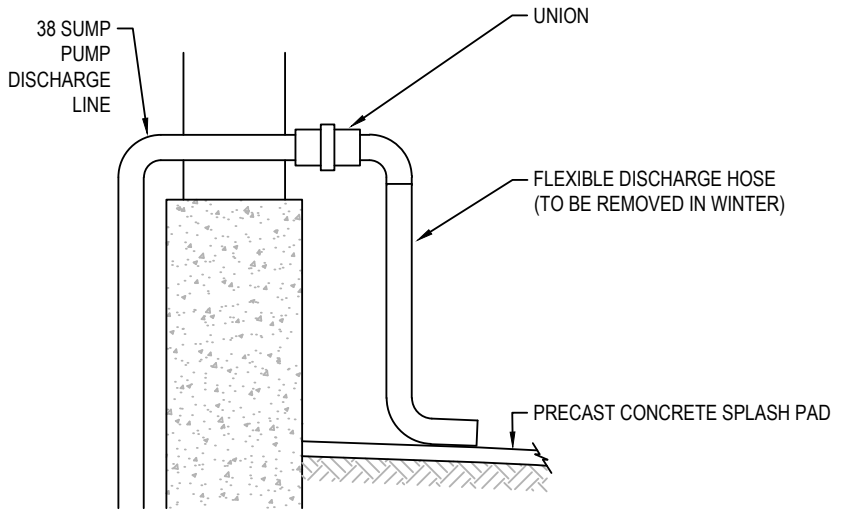
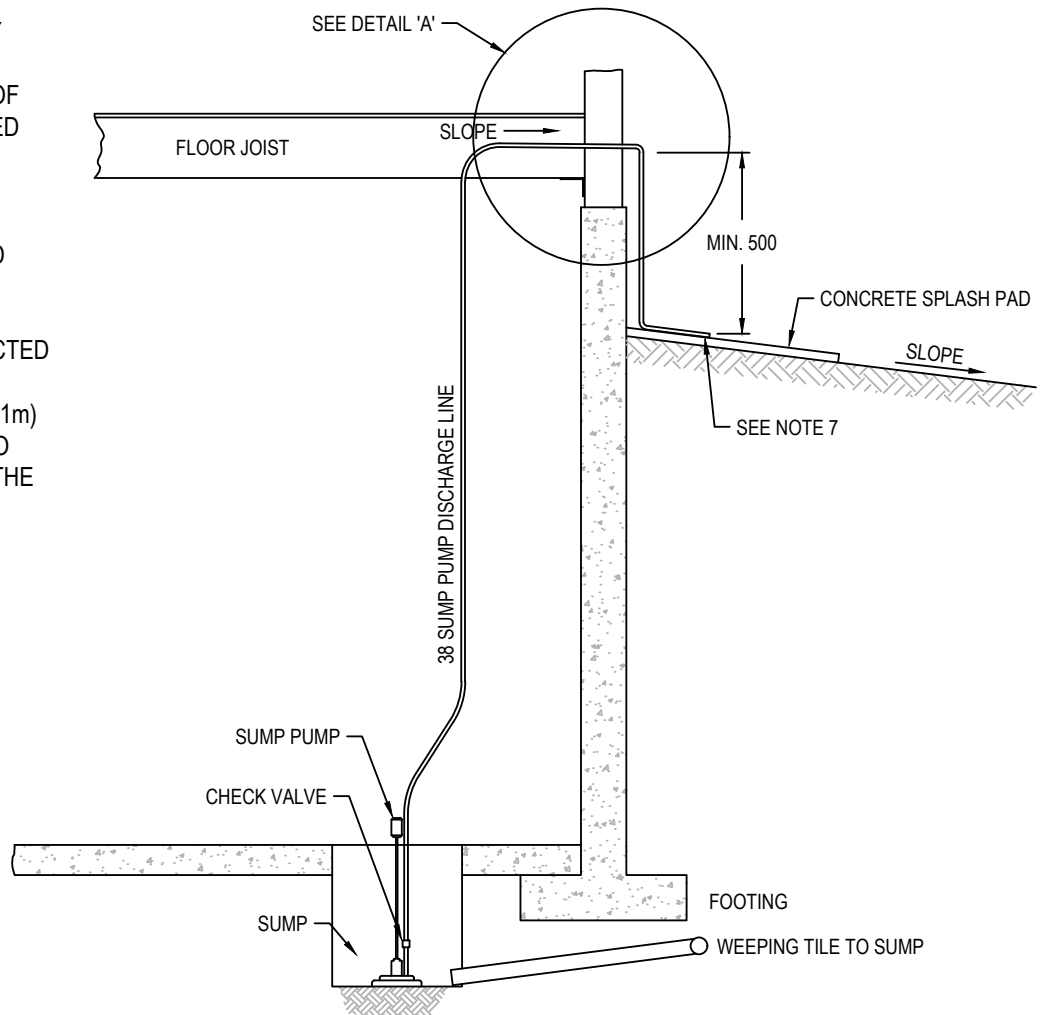


NOTES:

1. ROOF LEADERS (DOWNSPOUTS) OR ANY OTHER STORM WATER SOURCE MUST NOT BE CONNECTED TO THE FOUNDATION DRAIN DISCHARGE COLLECTION SYSTEM.
2. THE AUXILIARY SURFACE DISCHARGE MUST BE INSTALLED TO PROVIDE AN OVERFLOW IN THE EVENT THAT THE STORM DRAINAGE SYSTEM CANNOT ACCOMMODATE FLOWS DUE TO BLOCKAGE OR OTHER PROBLEMS.
3. EVERY PART OF THE PLUMBING SYSTEM SHALL BE PROTECTED FROM FREEZING THROUGH THE USE OF AN APPROVED METHOD.
4. WEEPING TILES SHALL NOT BE CONNECTED TO THE SANITARY SYSTEM.
5. THE LOCATION OF THE POINT OF DISCHARGE SHALL BE DIRECTED AWAY FROM ADJACENT PROPERTIES.
6. THE DISCHARGE MAY NOT BE DIRECTED INTO THE SIDE YARD UNLESS THE SIDE YARD IS ADJACENT TO A STREET.
7. DISCHARGE MAY NOT BE DIRECTED ONTO A PERVIOUS GROUND SURFACE WITHIN ONE METRE (1m) OF ANY BUILDING, DIRECTLY TO PROPERTY LINE, OR OUTSIDE THE PROPERTY.



DETAIL A



8		
7		
6		
5		
4	05/05/20	Revised Text Height
3	11/03/20	Revised Text Height
2	21/10/16	Revised Notes
1	16/11/15	Changed Note Number
NO.	DATE	REVISION

The City of Lloydminster



Scale: N.T.S.

Checked by: *[Signature]*

Approved by: *[Signature]*

Drawn by: N / A

WEeping TILE OVERLAND DISCHARGE
IF STORM SERVICE IS NOT AVAILABLE

Date: Feb. 22, 2011
 Drawing #: 7-305